

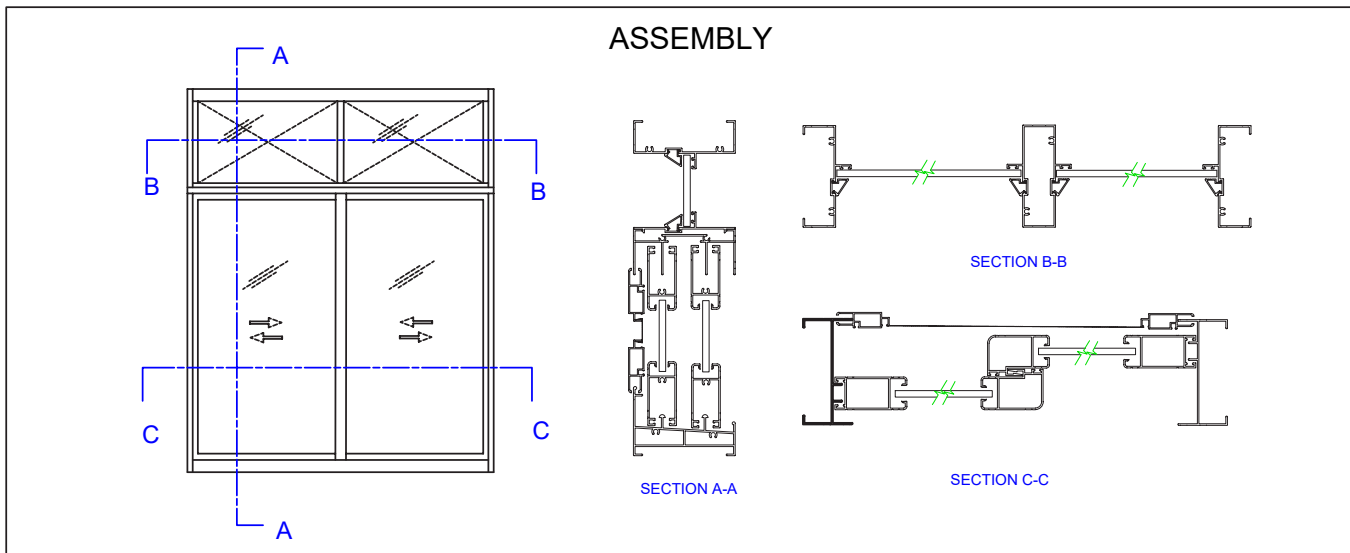


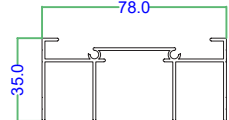
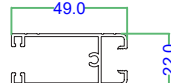
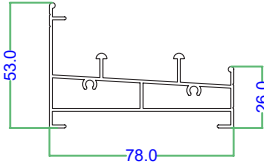
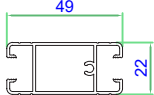
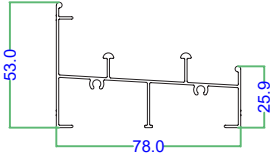

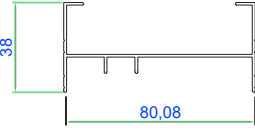
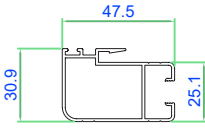
▶ SLIDING WINDOW



SLIDING WINDOW

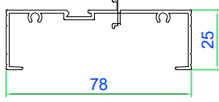
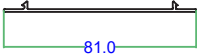
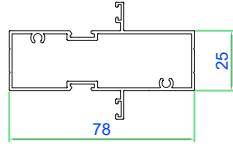
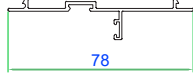

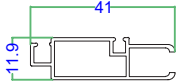
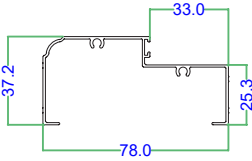
5500 SERIES (78MM)



SECTION NO.	DESCRIPTION	T (mm)	WT (kg/m)	SECTION NO.	DESCRIPTION	T (mm)	WT (kg/m)
5551	 Top Frame	1.0	0.62	5554	 Shutter - Top/Bottom	1.0	0.44
		1.2	0.68			1.2	0.52
		1.4				1.4	
5552	 Bottom Frame	1.0	0.98	5554A	 Shutter - Middle	1.0	0.56
		1.2				1.2	
		1.4				1.4	
5552A	 Bottom Frame	1.0	0.70	5555	 Shutter - Vertical	1.0	0.50
		1.2				1.2	0.58
		1.4				1.4	
5560	 Side Frame	1.0	0.50	5556	 Shutter - Inter Lock	1.0	0.50
		1.2	0.57			1.2	0.59
		1.4				1.4	

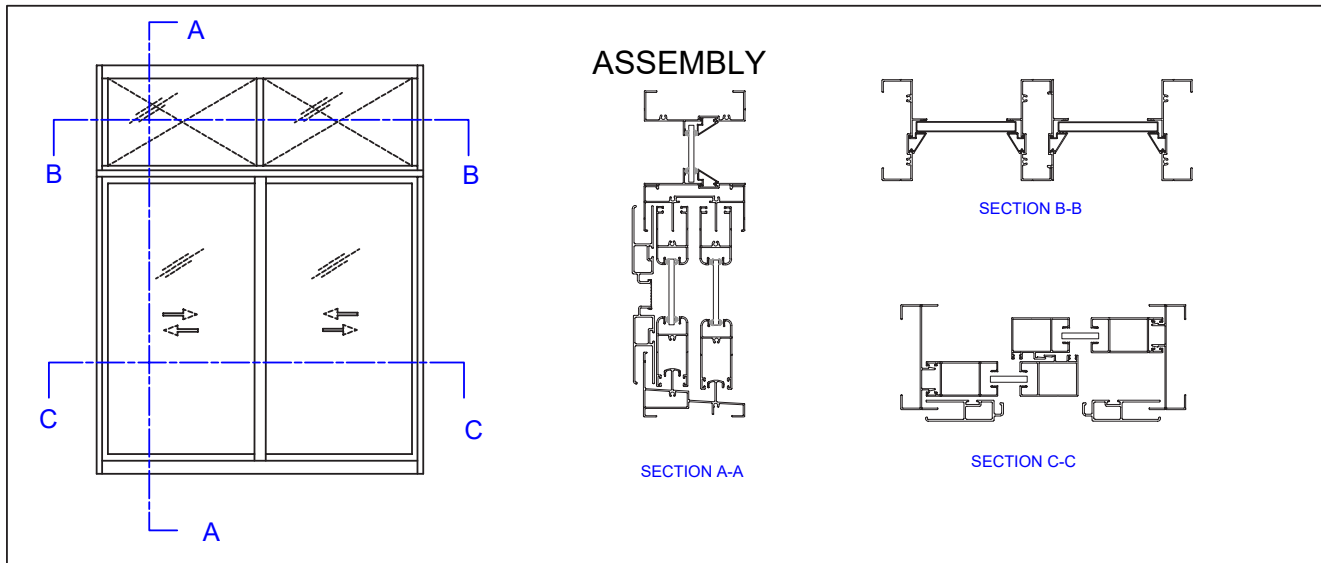
SLIDING WINDOW

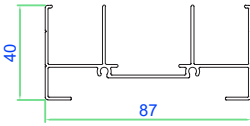
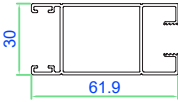
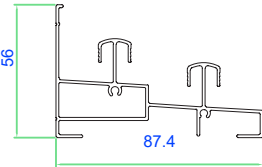
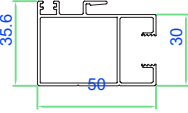
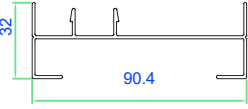
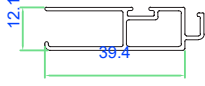
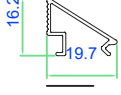
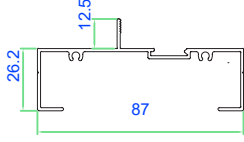
5500 SERIES (78MM)

SECTION NO.	DESCRIPTION	T (mm)	WT (kg/m)	SECTION NO.	DESCRIPTION	T (mm)	WT (kg/m)
5553	 Split Partition	1.0 1.2 1.4	0.49 0.57	5567		1.2	0.29
5557	 Double Partition	1.0 1.2 1.4	0.89				
5559	 Partition Plate	1.0 1.2 1.4	0.28 0.37				
5561	 Glazing Clip	1.0 1.2 1.4	0.09				
5562	 Net	1.0 1.2 1.4	0.27				
5566	 Door Frame	1.0 1.2 1.4	0.50				

SLIDING WINDOW

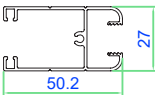
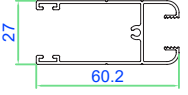
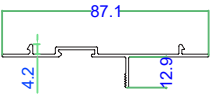
9000 SERIES (90MM)



SECTION NO.	DESCRIPTION	T (mm)	WT (kg/m)	SECTION NO.	DESCRIPTION	T (mm)	WT (kg/m)
9051	 <p>Top Frame</p>	1.0 1.2 1.5	0.79	9056	 <p>Shutter - Vertical</p>	1.0 1.2 1.5	0.69
9052	 <p>9052 Bottom Frame</p>	1.0 1.2 1.5	1.08	9057	 <p>Shutter - Inter Lock</p>	1.0 1.2 1.5	0.68
9060	 <p>9060 Side Frame</p>	1.0 1.2 1.5	0.65	9062	 <p>Net</p>	1.0 1.2 1.5	0.31
9061	 <p>Glazing Clip</p>	1.0 1.2 1.5	0.13	9053	 <p>Single Partition</p>	1.0 1.2 1.5	0.68

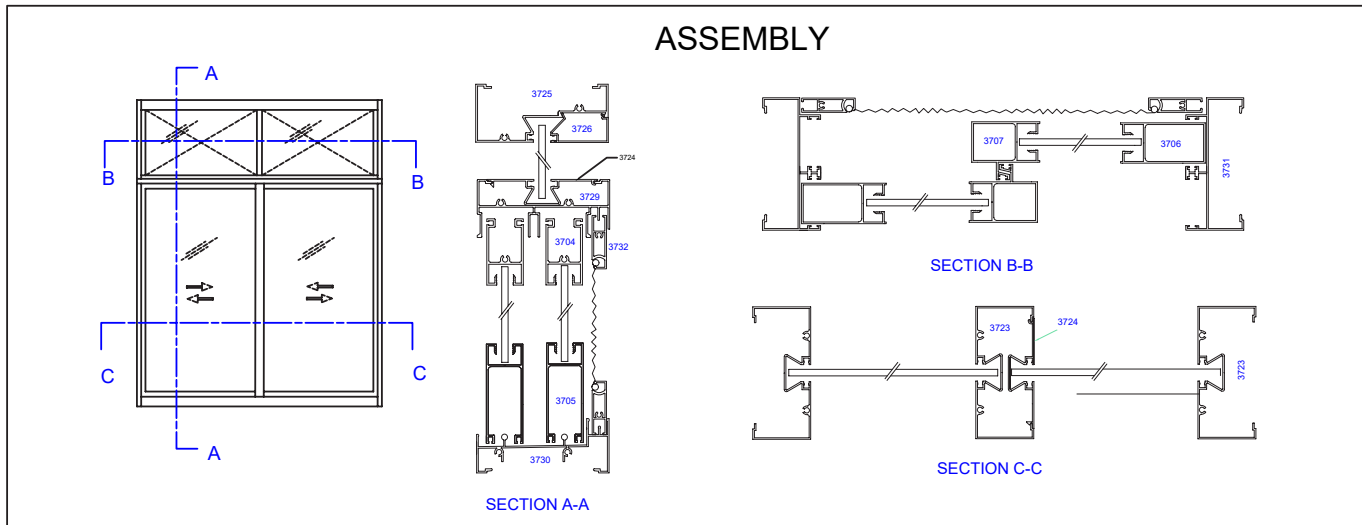
SLIDING WINDOW

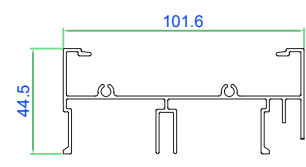
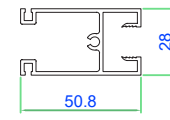
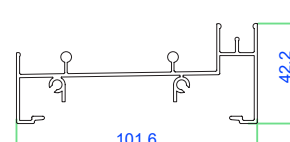
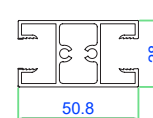
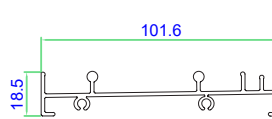
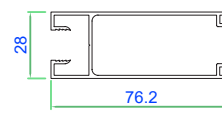
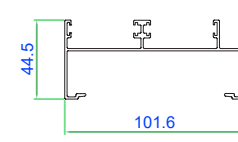
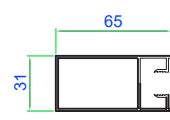
9000 SERIES (90MM)

SECTION NO.	DESCRIPTION	T (mm)	WT (kg/m)	SECTION NO.	DESCRIPTION	T (mm)	WT (kg/m)
9054	 Shutter - Top & Bottom	1.0 1.2 1.5	0.55				
9055	 Shutter - Bottom	1.0 1.2 1.5	0.61				
9059	 Partition Plate	1.0 1.2 1.5	0.38				

SLIDING WINDOW

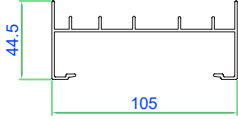
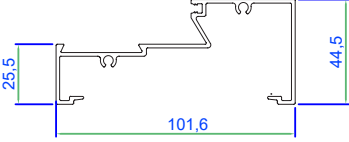
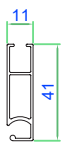
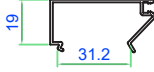
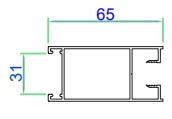
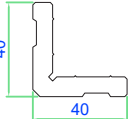
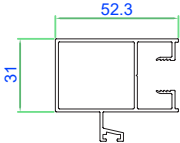
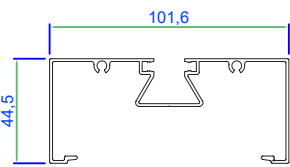
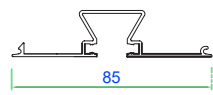
3700 SERIES (100MM)



SECTION NO.	DESCRIPTION	T (mm)	WT (kg/m)	SECTION NO.	DESCRIPTION	T (mm)	WT (kg/m)
3729		1.0		3704		1.0	
		1.2	1.07			1.2	0.62
		1.5	1.31			1.5	0.75
Top Frame							
3730		1.0		3704A		1.0	
		1.2	1.02			1.2	0.73
		1.5	1.23			1.5	
Bottom Frame							
3730A		1.0		3705		1.0	
		1.2	0.87			1.2	0.75
		1.5				1.5	0.92
Bottom Frame							
3731		1.0		3706		1.0	
		1.2	0.90			1.2	0.70
		1.5	1.13			1.5	0.85
Side Frame							
Shutter Vertical							

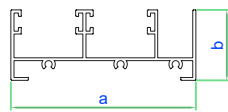
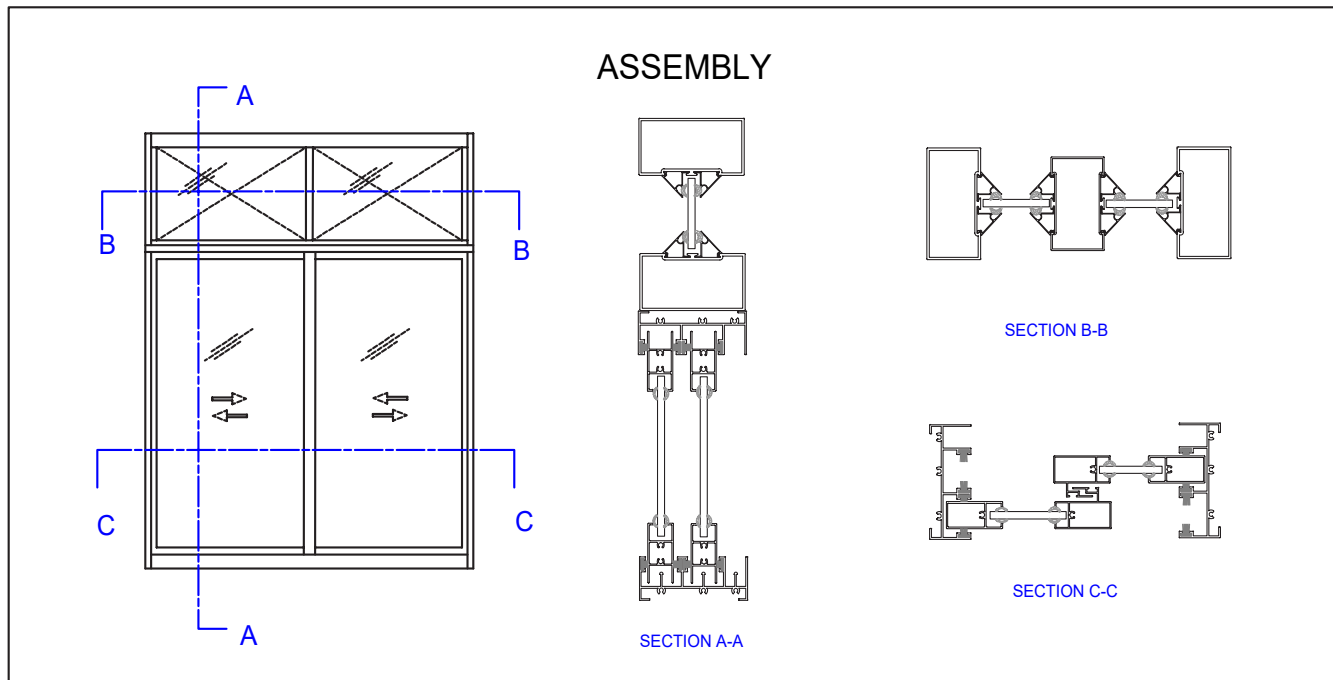
SLIDING WINDOW

3700 SERIES (100MM)

SECTION NO.	DESCRIPTION	T (mm)	WT (kg/m)	SECTION NO.	DESCRIPTION	T (mm)	WT (kg/m)
3731M	 Side Frame	1.0	1.00	3725	 Single Partition	1.0	0.85
		1.2				1.2	
		1.5				1.5	
3732	 Net	1.0	0.36	3726	 Clip	1.0	0.35
		1.2				1.2	
		1.5				1.5	
3706M	 Shutter Vertical	1.0	0.75	3717	 Crimping Angle	1.50	
		1.2					
		1.5					
3707	 Shutter - Inter Lock	1.0	0.75			0.85	
		1.2		1.2			
		1.5		1.5			
3723	 Single Partition	1.0	0.95			1.16	
		1.2		1.2			
		1.5		1.5			
3724	 Partition Plate	1.0	0.66				
		1.2		1.2			
		1.5		1.5			

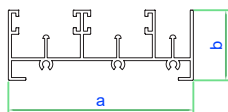
SLIDING WINDOW

3800 SERIES



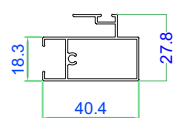
	a	b	kg/m
3879	62	31.4	0.44
3881	77.5	30	0.78
3883	62	30	0.54

Frame - Top & L/R



	a	b	kg/m
3880	62	31.4	0.44
3882	77.5	30	1.00
3884	62	30	0.69

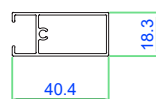
Frame - Bottom



3868

Shutter - Inter Lock

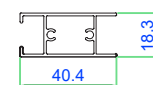
0.38



3869

Shutter - Vertical

0.38



3870

Shutter - Top & Bottom

0.38



Hulas Aluminium

